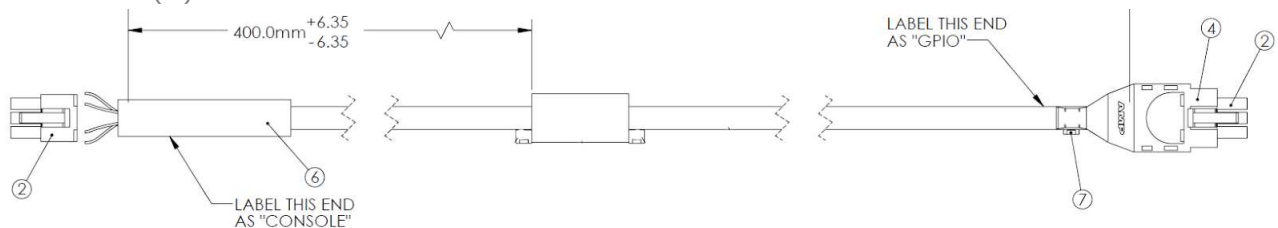
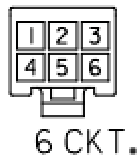


Axia CANbus Specifications

Element, Powerstation, QOR Line

- Pin 1 - 48v Gnd
- Pin 2 - GND Chassis
- Pin 3 - CAN (-)
- Pin 4 - 48v
- Pin 5 - CAN GND
- Pin 6 - CAN (+)



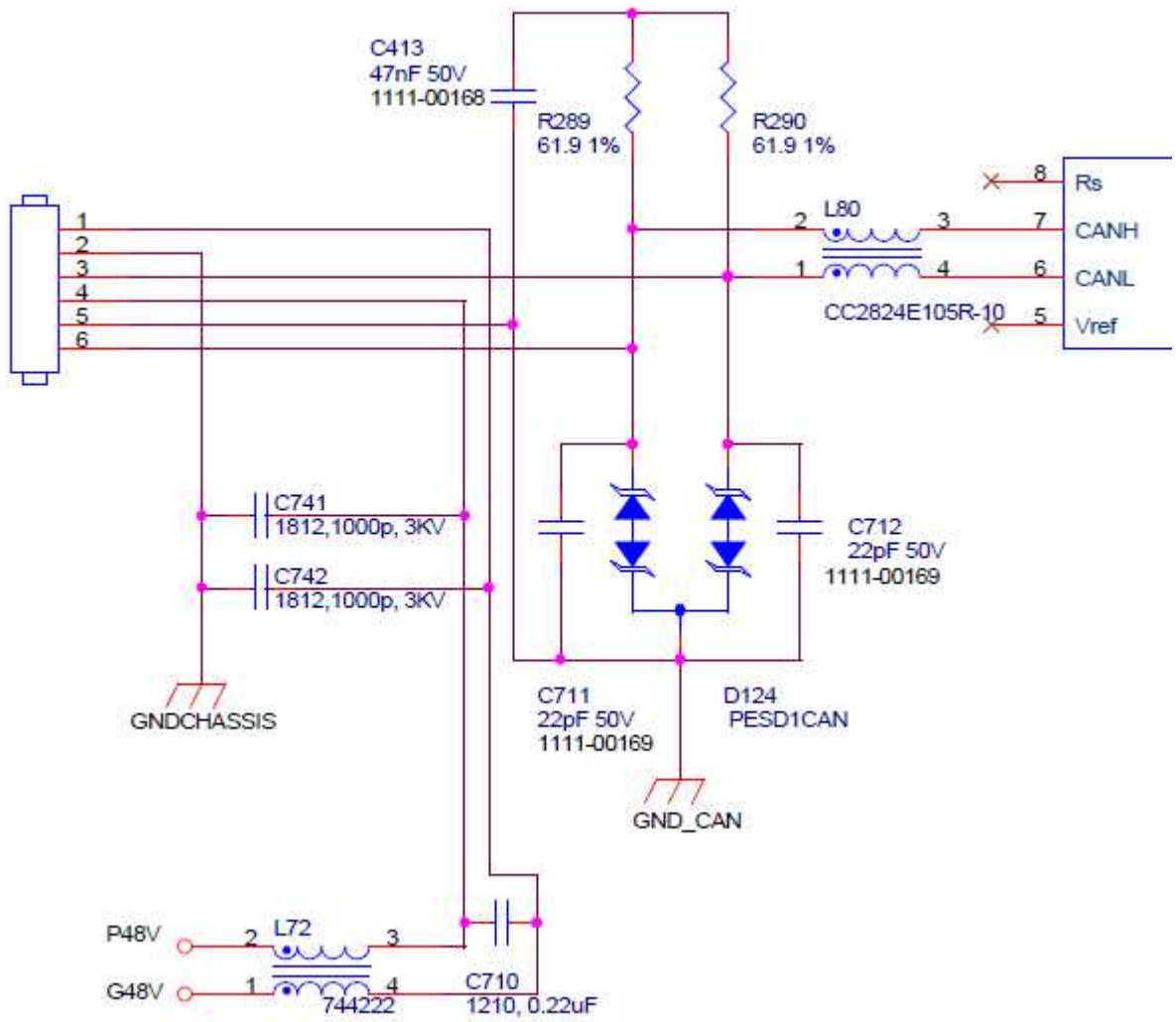
CONSOLE SIDE

- PIN 1 --- ORN & WHT/BRN
- PIN 2 --- DRAIN WIRE
- PIN 3 --- WHT/BLU
- PIN 4 --- BRN & WHT/ORN
- PIN 5 --- GRN & WHT/GRN
- PIN 6 --- BLU

GPIO SIDE

- PIN 1 --- ORN & WHT/BRN
- PIN 2 --- DRAIN WIRE
- PIN 3 --- WHT/BLU
- PIN 4 --- BRN & WHT/ORN
- PIN 5 --- GRN & WHT/GRN
- PIN 6 --- BLU

	CANbus cables (element & QOR)	
1711-00128-100	GPIO-TO-ELEMENT POWER CABLE 20FT	default included with shipped product
1711-00137-100	GPIO-TO-ELEMENT POWER CABLE 10FT	
1711-00150-100	GPIO-TO-ELEMENT POWER CABLE 40FT	
1711-00152-100	GPIO-TO-ELEMENT POWER CABLE 25FT	
1711-00153-100	GPIO-TO-ELEMENT POWER CABLE 35FT	
1711-00197-100	PS to Element Splt Console	also 2091-00122-000 is same cable
1711-00252-100	GPIO-to-DESQ cbl 20'	
1771-00042-100	Canbus Terminator Plug	



http://www.molex.com/pdm_docs/sd/026013167_sd.pdf
 Belden 7929A Cable