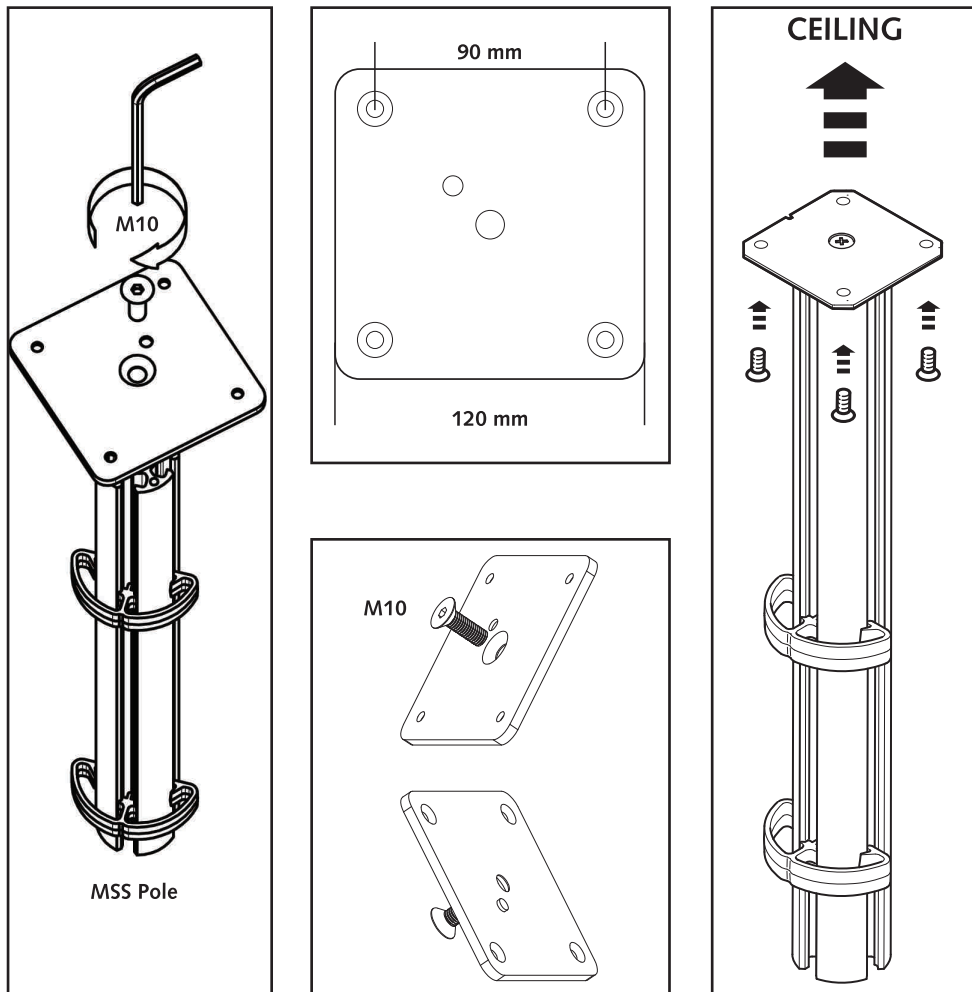
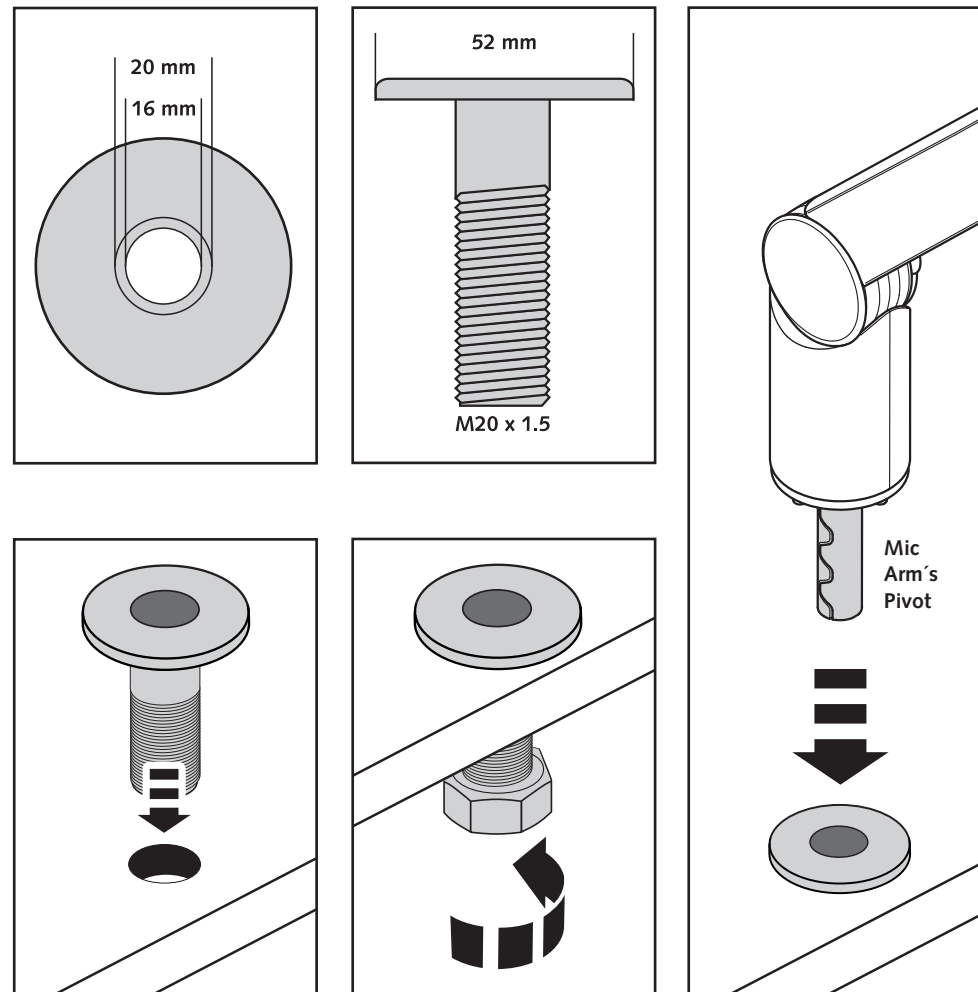


4. MIKA CEILING MOUNTING KIT (#YT3248)



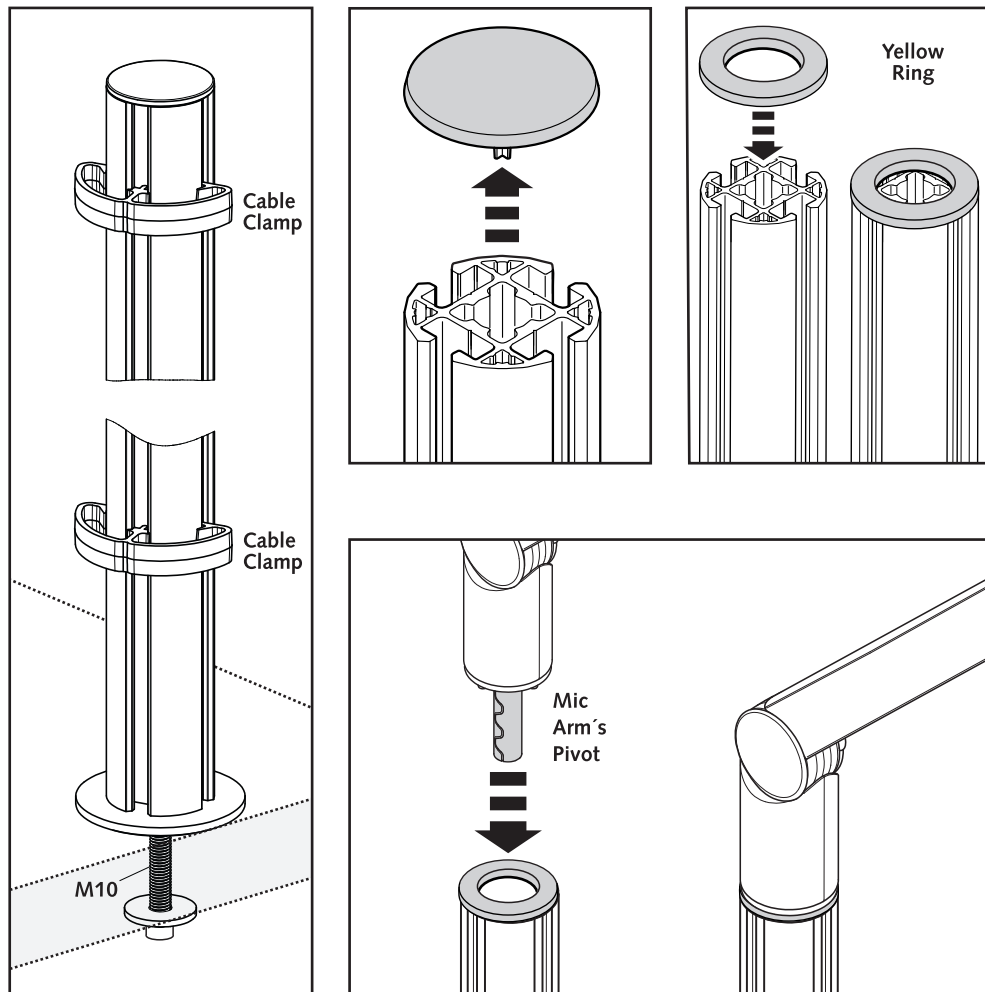
Turn the **MSS Pole** to mount the ceiling adapter plate using the M10 countersunk screw. The plate comes with holes in the corners for mounting it at the ceiling with another four countersunk screws. Cable clamps are included in the scope of delivery.

1. MIKA BUSHING (#YT3211)



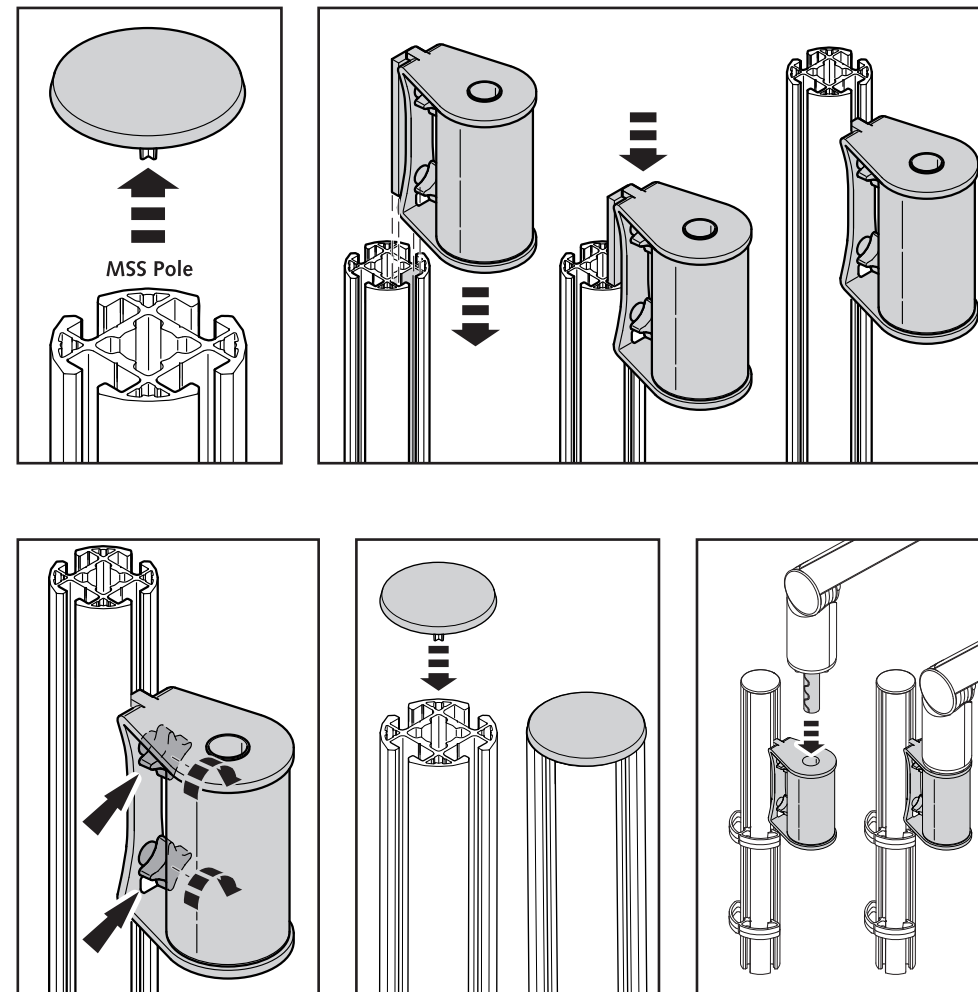
The **Bushing** with M20x1.5 thread is made out of a stainless steel rod on a CNC lathe and jig boring machine. It comes with M20 counter nut. Drill a 21mm hole into the desktop, plug-in the Bushing from the top and fix it with the M20 nut. Finally plug-in the Microphone Arm's pivot!

2. MIKA MSS POLE 17" (#YT3240) FOR USE AS MIC ARM RISER



The **MSS Pole** is an extruded aluminium sheath with four profile slots for mounting multiple **Monitor Arms** (#YT3230) or **Mic Arm to MSS Pole Adapter** (#YT3213). The Pole's inner tube (Ø 16mm) holds a M10 nut at its bottom side. Drill a 10.5 mm hole into the desktop and fix the MSS Pole with the M10x70 screw and two washers of the **PDM-Kit** (#YT3245). Finally remove the cover at the Pole's top, plug-on yellow ring that is part of the PDM-Kit, and plug the Microphone Arm's pivot into the top! The PDM-Kit also includes two cable clamps.

3. MIKA MIC ARM TO MSS POLE ADAPTER (#YT3213)



You can mount up to four **Mic Arm to MSS Pole Adapters** (#YT3213) and respectively microphone arms on a single **MSS Pole** due to its four profile slots. The resulting 'tree' will be a perfect support for a guest table. Mount one MSS Pole in the centre and let it hold up to four microphone arms by using these adapters.