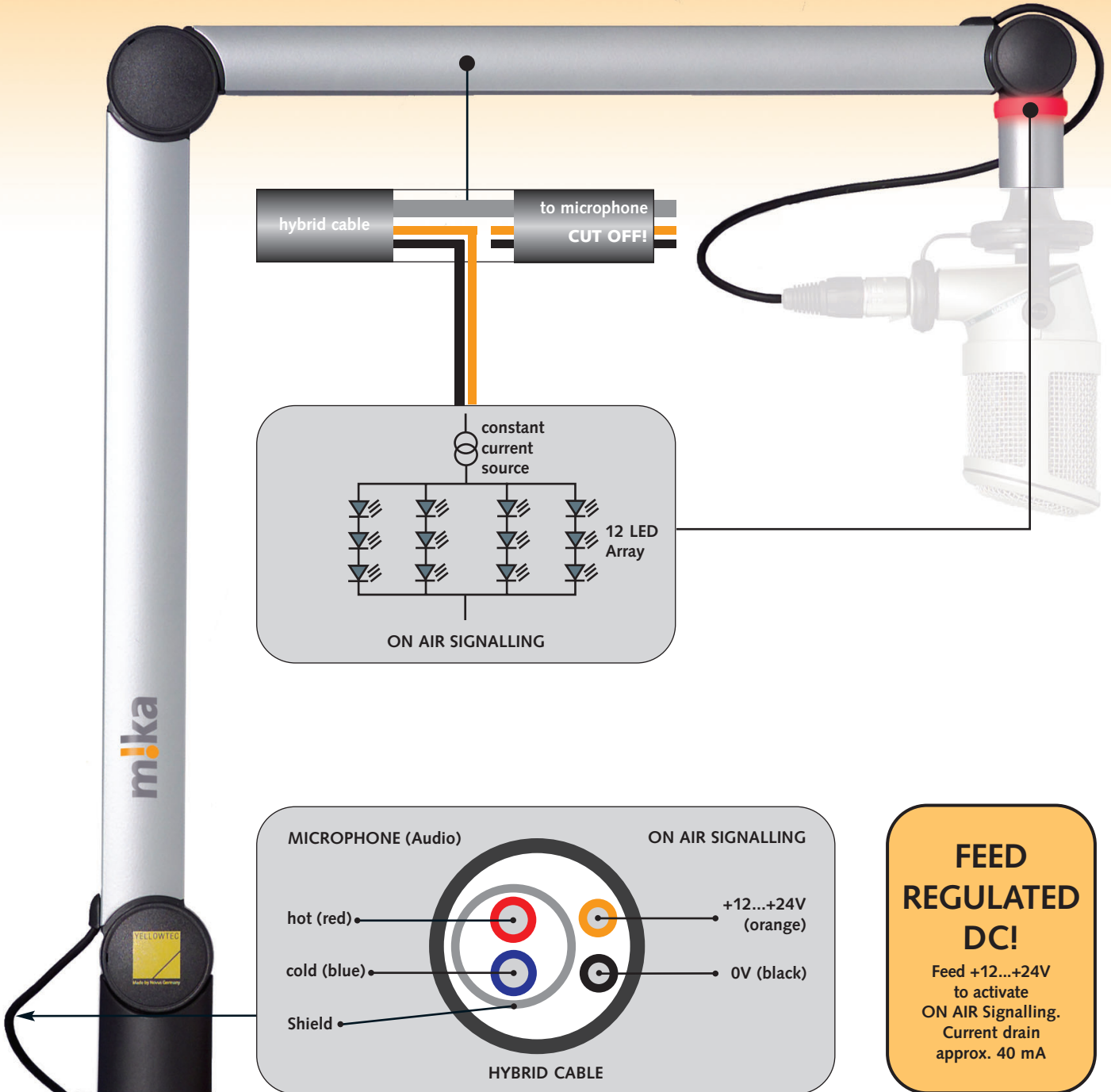




# MICROPHONE ARM 'ON AIR'

YT3204 coated dark grey  
YT3205 anodised aluminium



**FEED REGULATED DC!**

Feed +12...+24V to activate ON AIR Signalling. Current drain approx. 40 mA

**DO NOT DISMANTLE!**

The elaborate internal linkage and coil spring construction remain hidden from view. Dismantling any part can lead to irreversible damage and can cause serious injuries. Any servicing is strictly reserved to YELLOWTEC personnel or authorized partners. Visit our website for contact information.

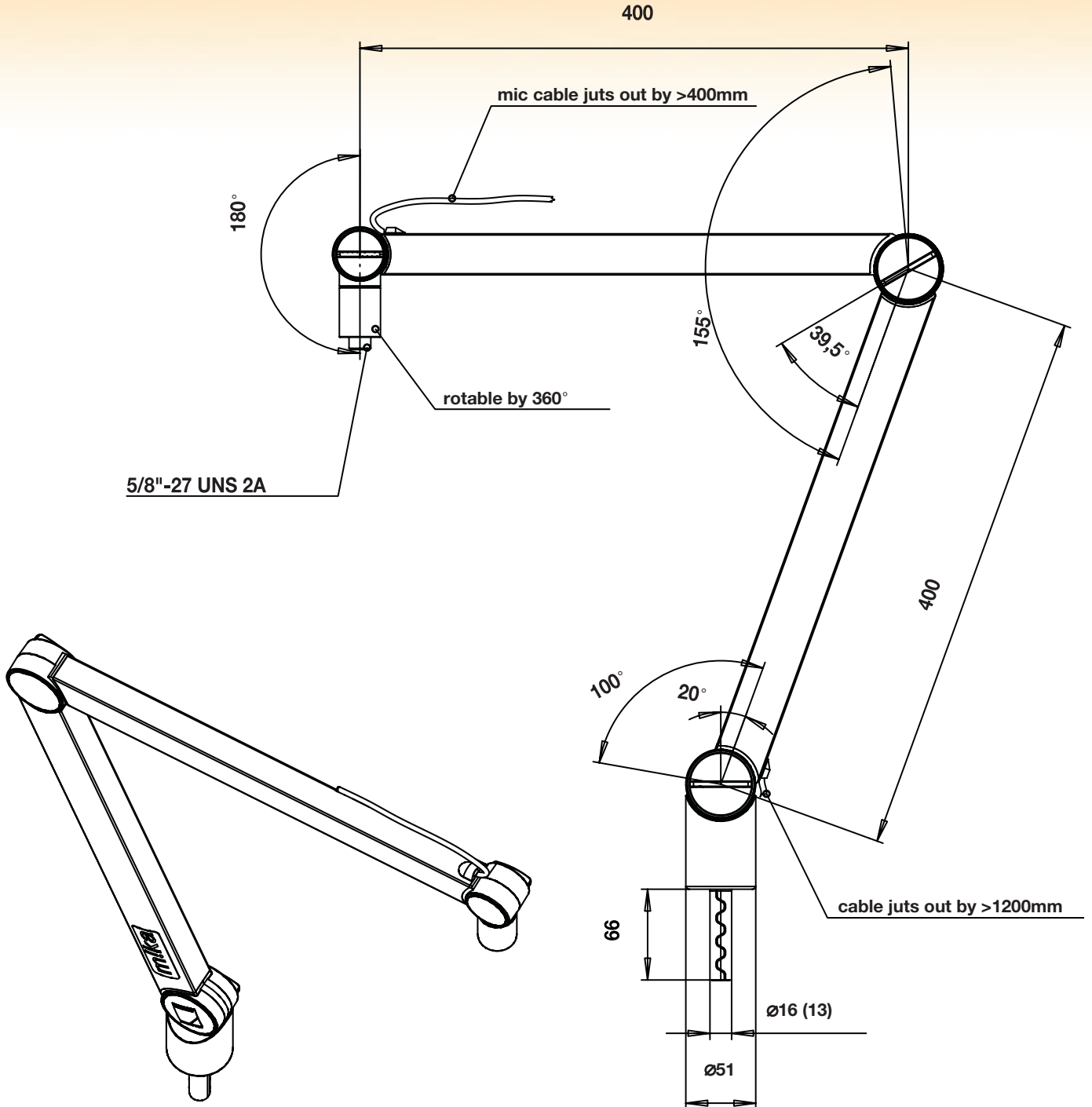
**YELLOWTEC**  
Heinrich-Hertz-Strasse 1-3  
40789 Monheim, Germany  
Phone +49-2173-967 315  
e-mail: info@yellowtec.com  
web: www.yellowtec.com



# MICROPHONE ARM

YT3200 coated dark grey, w/o 'on air' signalling

YT3201 anodised aluminium, w/o 'on air' signalling



## DO NOT DISMANTLE!

The elaborate internal linkage and coil spring construction remain hidden from view. Dismantling any part can lead to irreversible damage and can cause serious injuries. Any servicing is strictly reserved to YELLOWTEC personnel or authorized partners. Visit our website for contact information.

**YELLOWTEC**

Heinrich-Hertz-Strasse 1-3  
40789 Monheim, Germany  
Phone +49-2173-967 315  
e-mail: [info@yellowtec.com](mailto:info@yellowtec.com)  
web: [www.yellowtec.com](http://www.yellowtec.com)