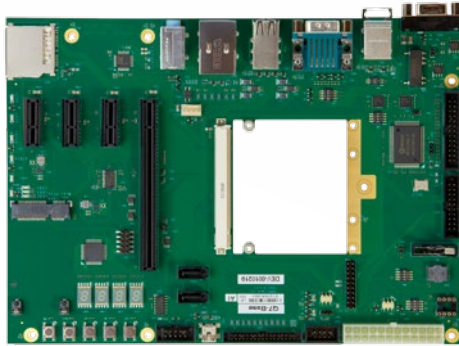


# Q7-BASE

## Qseven® Reference Carrier Board

NEW



### Features

- Qseven compliant, supports all mandatory I/Os
- Audio Codec ALC886
- Super I/O controller W83726DHG
- 7-segment POST code display
- CAN transmitter with isolation



### Specifications

#### Interfaces

Displays	Combined HDMI/DP via graphics card Dual channel LVDS 18/24-bit with backlight connector
SDIO	4/8-bit SDIO for MMC/SD
SPI	1x SPI interface 1x SMBus 1x misc
HD Audio	1x HD audio codec ALC886 1x line in 1x line out 1x microphone 1x S/PDIF in/out 1x I <sup>2</sup> C
I <sup>2</sup> C	1x I <sup>2</sup> C
Asynchronous Serial Port	1x asynchronous serial port (UART)
CAN Bus	1x CAN bus interface
USB	1x USB 3.0 5x USB 2.0 host 1x USB 2.0 client
PCI Express	3x PCIe x1 1x PCIe Mini Card
SATA	2x SATA
Gigabit Ethernet	1x GbE
S/PDIF	S/PDIF in/out
Boot Source Select	SPI, eMMC, SD Card, SATA
Miscellaneous	LPC/TPM connector 2x COM 1x LPT 2x PS/2 for keyboard and mouse 7-segment display for BIOS post code Status LEDs and control buttons

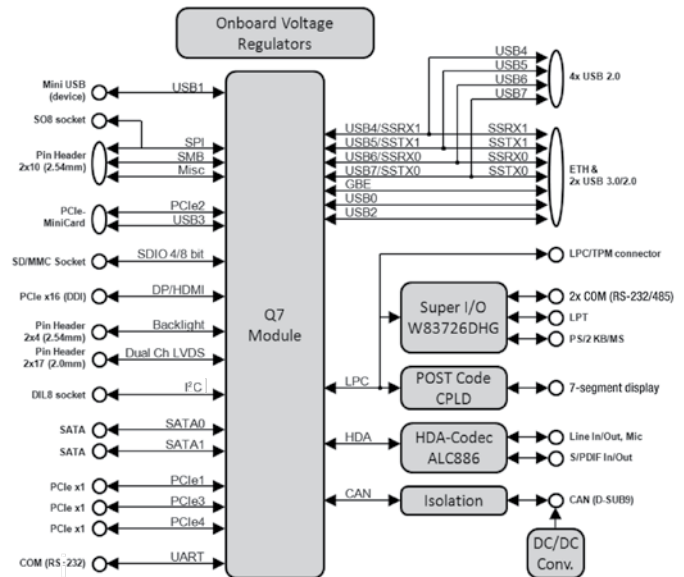
#### Power

Power Modes	ATX/AT mode
Standard Voltage Input	5.0V ±5%, ±50mV ripple, 12V, 3.3V from ATX connector
Standby Voltage Input	5.0V ±5%, ±50mV ripple from ATX connector
RTC Voltage Input	2.7V to 3.3V, depending on module

#### Mechanical and Environmental

Form Factor	Mini-ITX
Dimension	170 mm x 170 mm
Board Connector	MXM 230-pin edge connector

### Functional Diagram



### Ordering Information

#### Modules

Model Number	Description/Configuration
Q7-BASE-R01	Qseven Reference Carrier Board for Qseven compliant modules

# Mouser Electronics

Authorized Distributor

Click to View Pricing, Inventory, Delivery & Lifecycle Information:

[ADLINK Technology:](#)

[Q7-BASE-R01](#)